

ROWAN



 amybutler

ornament quilt



amy's ornament quilt



Cameo Fabrics & Yardages:



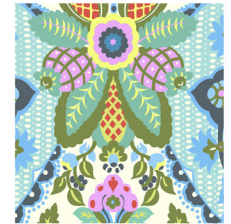
Angelica/Clover – 1 $\frac{3}{4}$ Yards



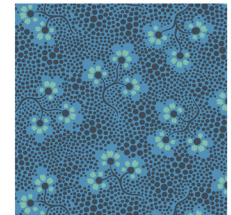
Tearose/Silver – 1 $\frac{3}{4}$ Yards



Josephine's Bouquet/Ink
(fussy-cut 2 motifs; 6 each) – 5 Yards



Harriet's Kitchen/Sugar
(backing) – 4 $\frac{3}{4}$ Yards*



Forget-Me-Not/Midnight
(binding) – $\frac{5}{8}$ Yard

"amy's nigella quilt reinvented for cameo!"



R O W A N 

CAMEO ORNAMENT QUILT

This honey of a quilt uses only 5 prints with easy construction and fun techniques that the newest of new quilters will feel at home with. The shapely ornament bobbles are the perfect size for showing off the decorative details and rich colors in my Cameo prints. Enjoy and Happy Happy quilting! XO Amy

SEWING PATTERN INCLUDES:

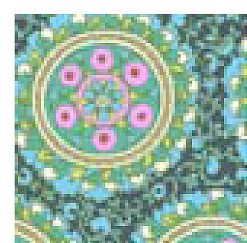
Instructions and applique template to create your own Cameo Quilt.

Featuring Cameo, a collection of fabrics designed by Amy Butler for Rowan
Quilt design by Amy Butler
Quilt construction and pattern written by Susan Guzman
Questions about pattern? Email: susan@suzguzdesigns.com
Finished quilt size: 54 1/2" x 72 1/2"
Finished block size: 18" x 18"

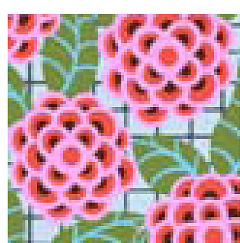
GENERAL NOTES:

- ~Please read through all of the instructions before beginning pattern.
- ~Preshrink your fabric: machine wash, warm water; tumble dry, low heat. TIP: Make a small diagonal clip in the corners of each fabric piece before washing to help prevent fraying.
- ~Seam allowances are 1/4".
- ~Applique bulbs will be added last, after quilting and binding steps.
- ~The first time a term is mentioned and followed by an asterisk (*) it is defined in the "Techniques & Terminology" section on Amy's website: www.amybutlerdesign.com.

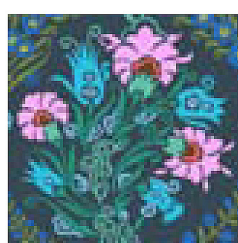
FABRIC REQUIREMENTS



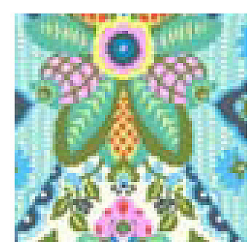
(A) Angelica/Clover
1 3/4 Yards:
Cut 24 squares,
9 1/2" x 9 1/2"



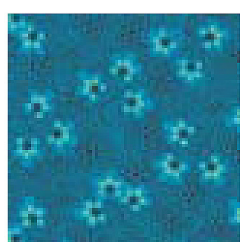
(B) Tearose/Silver
1 3/4 Yards:
Cut 24 squares,
9 1/2" x 9 1/2"



(C) Josephine's
Bouquet/Ink
5 Yards:
See Step 2 for
cutting instructions.



(D) Harriet's
Kitchen/Sugar
4 3/4 Yards:
Trim selvage edges
and cut 2 lengths,
82 1/2" x WOF



(E) Forget-Me-Not/
Midnight
5/8 Yard:
Binding

BATTING / NOTIONS

- 67" x 85" Fairfield Machine 60/40 Blend® Batting
- 1 large spool of coordinating thread from Amy's Premium Threads from Rowan

TOOLS NEEDED

- Scissors
- Rotary cutter and mat
- 24" quilter's ruler
- Straight pins
- Iron and ironing board
- Printer
- Pencil & marking pencil
- Transparent tape
- Poster board
- Pinking shears
- Quilt basting spray
- Pkg. quilter's curved safety pins
- Hand sewing needle
- Sewing machine walking foot

Step 1. MAKE BULB TEMPLATE

A. Print out the 3 template pages; trim and tape together as instructed on Pattern Page 1.

B. Using your pencil, place the template onto poster board and trace along the template sew line. Flip template over, match-up to drawn line, and continue tracing to complete bulb shape. Cut bulb shape from poster board and set aside to use as your applique template.

Step 2. CUTTING INSTRUCTIONS FOR APPLIQUE: JOSEPHINE'S BOUQUET/INK

Plan Before Cutting: There are two different floral motifs in the print. You will have enough fabric yardage to fussy-cut* 6 of each motif. Placing the bulb template can be tricky because of the shape and because you will be cutting the fabric 1/4" away from the template edge.

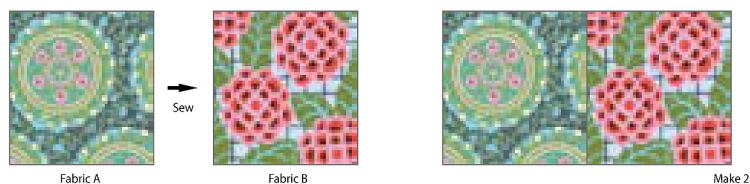
A. Lay bulb template on the **WRONG** side of fabric and center on selected floral motif. Trace template with marking pencil. Continue to select a motif and trace the bulb template until you have a total of 12 floral motifs.

B. Using pinking shears, fussy-cut each bulb shape 1/4" away from trace line. Set applique pieces aside until needed in **Step 8**.

Step 3. MAKE 4-PATCH BLOCKS

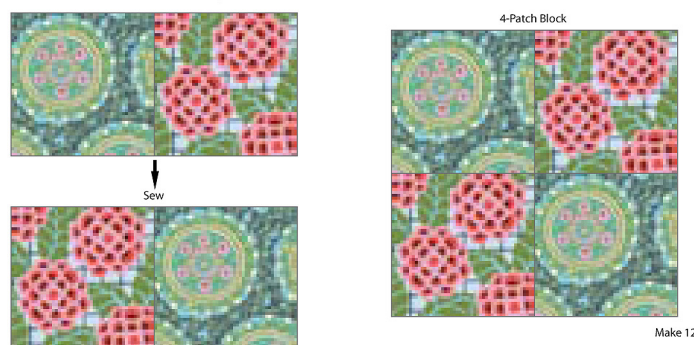
A. With **RIGHT** sides together, sew a Fabric A square to a Fabric B square (**Diagram 1**) and press with iron toward Fabric A to make pieced rectangle. Make 2.

Diagram 1: Sewing Squares Together



B. Referring to **Diagram 2**, sew pieced rectangles together to make 4-Patch Block. Make 12.

Diagram 2: Make 4-Patch Block



Step 4. CONSTRUCT QUILT TOP

Paying attention to block layout and referring to image of quilt, sew together 4 rows of 3 blocks each.

Your Quilt Top is now complete. Please set aside while you make the Quilt Back

Step 5. PIECING QUILT BACK

Gather your 2 Fabric D 82 1/2" x WOF lengths. With **RIGHT** sides together, pin and sew along entire length. Press seam to one side and iron out any creases.

Your Quilt Back is now complete.

Step 6. FINISHING YOUR QUILT

A. Place the Quilt Back on a flat, open surface with **WRONG** side up; smooth wrinkles.

B. Place batting on top of Quilt Back; smooth wrinkles.

C. Center Quilt Top on batting with **RIGHT** side up, creating a sandwich with Quilt Back, batting and top; smooth wrinkles.

D. Use quilt basting spray according to manufacturer's instructions.

E. Using quilter's curved safety pins, carefully pin the 3 layers together about every 8", or hand baste* the layers using long running stitches.

F. Attach the Walking Foot to your machine. Using a longer stitch setting on your machine, stitch 1/8" around edge of your sandwiched top; smooth taut as you sew.

G. Begin quilting in center of quilt using the Stitch-in-the-Ditch quilting method; remove the safety pins as you sew.

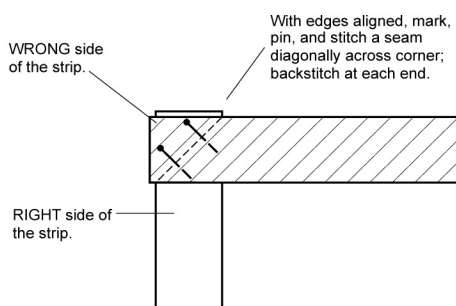
H. Trim the Quilt Back and batting even with the Quilt Top.

Step 7: MAKE AND ATTACH THE BINDING

A. Cut 2 1/2" wide strips from Fabric E. Make enough strips to total 7 1/2 yards.

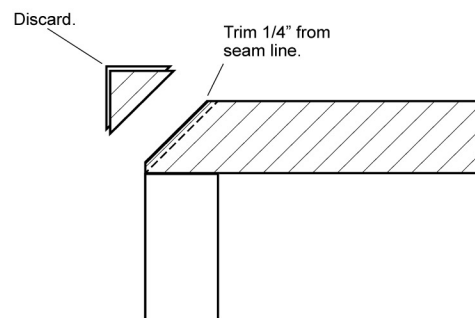
B. To join strips for binding*, refer to **Diagram 3** and place 2 strips perpendicular to each other with **RIGHT** sides together. Match the raw edges. With a marking pencil, draw a diagonal line on wrong side of fabric, then pin in place along sew line. Stitch a seam diagonally along mark and backstitch* at each end.

Diagram 3: Piece Binding Strips



C. Leaving a 1/4" on the outside of the stitching line, cut diagonally across the matched corners, as seen in **Diagram 4**; discard cut corners. Press the seam open. Continue to attach the remaining strips to finish making the binding.

Diagram 4: Trim Corners



D. With **WRONG** sides together, line up raw edges and press a crease along the entire folded lengthwise edge.

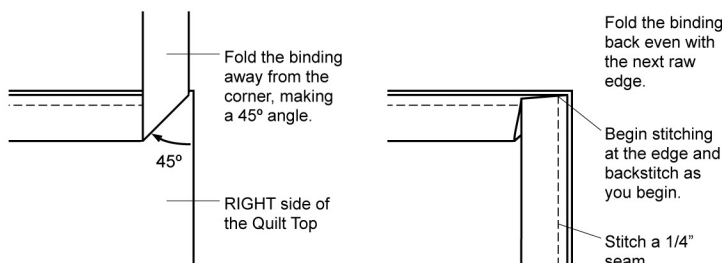
Attaching Binding for hand sewing method:

E. Place the **RIGHT** side of the Quilt Top facing up. Start at the center along one side edge, and match the raw edges of the binding and Quilt, pinning as you go and stopping at the first corner.

F. Leave the first 5" of binding unstitched, then begin sewing a 1/4" seam, stopping 1/4" from the first corner and backstitch. Remove the quilt from your machine and clip the threads.

G. To form a neat mitered corner (**Diagram 5**), fold the binding away from the corner forming a 45° angle. Then, fold binding back even with the next side's raw edge and pin it in place. Leave the folded edge of the binding even with the first edge that was sewn.

Diagram 5: Making Mitered Corners



H. Begin stitching again at the edge of the Quilt, backstitching as you begin. Continue to pin and sew along the edge, stopping 1/4" from the next corner and backstitch again.

I. Repeat **Steps 7F and 7G** to miter the remaining corners and sew the rest of the Binding in place. Stop stitching 10" from where you first began. Backstitch again.

J. Cut the binding so it overlaps the beginning edge by 6". Open the beginning edge and cut it at a 45° angle. Fold this edge 1/2" under toward the **WRONG** side of the binding and press.

K. Insert the end of the binding under the beginning folded edge. Adjust it so it lays flat within the other end tucked inside the fold. Pin and stitch the rest of the binding in place. Press the binding away from the Quilt Top.

L. Turn the Quilt over so the Back Panel is facing up. Flip the binding over the edge from the front to the back. Line up the folded edge of the binding so it just covers the stitching line that attached it to the front. Adjust the mitered corners and pin them in place.

M. Hand stitch the binding in place or machine stitch close to the inner folded edge and backstitch at each end.

Your Quilt is almost finished!

Step 8: APPLYING APPLIQUE BULBS

Refer to Quilt image and alternate the 2 applique floral motifs as you sew them onto your Quilt Top.

A. Lay Quilt out on a flat surface. Arrange and center an applique bulb on a 4-Patch Block. Carefully smooth the bulb taut as you pin in place.

B. Begin stitching 1/4" inside the raw edge applique. In this manner, continue sewing around entire bulb edge. Pull beginning and ending threads to Quilt Back to tie off and trim.

C. Paying attention to orientation and placement, repeat **Steps 8A and 8B** with the remaining applique bulbs.

Nice job! Your Quilt is complete. You have made a beautiful keepsake.

Be sure to add a fabric label to the back of the Quilt, hand stitching it in place to document your name, address, date and any information you may want to include (perhaps a dedication or a name for the Quilt). Future generations will thank you for this.



the back in Harriet's Kitchen "Sugar"

If you've enjoyed making this quilt, be sure to check out my other free quilts including my "Window to the Soul" Gypsy Caravan quilt, and also my Lark Quilt @ amybutlerdesign.com! Happy Sewing! - Amy



WESTMINSTER
FIBERS
Lifestyle Fabrics

3430 Toringdon Way, Ste 301
Charlotte, NC 28277
Phone: 866-907-3305
Fax: 864-877-3269
Email: fabrics@westminsterfibers.com
Website: www.westminsterfibers.com

All designs © 2012 Amy Butler Ltd

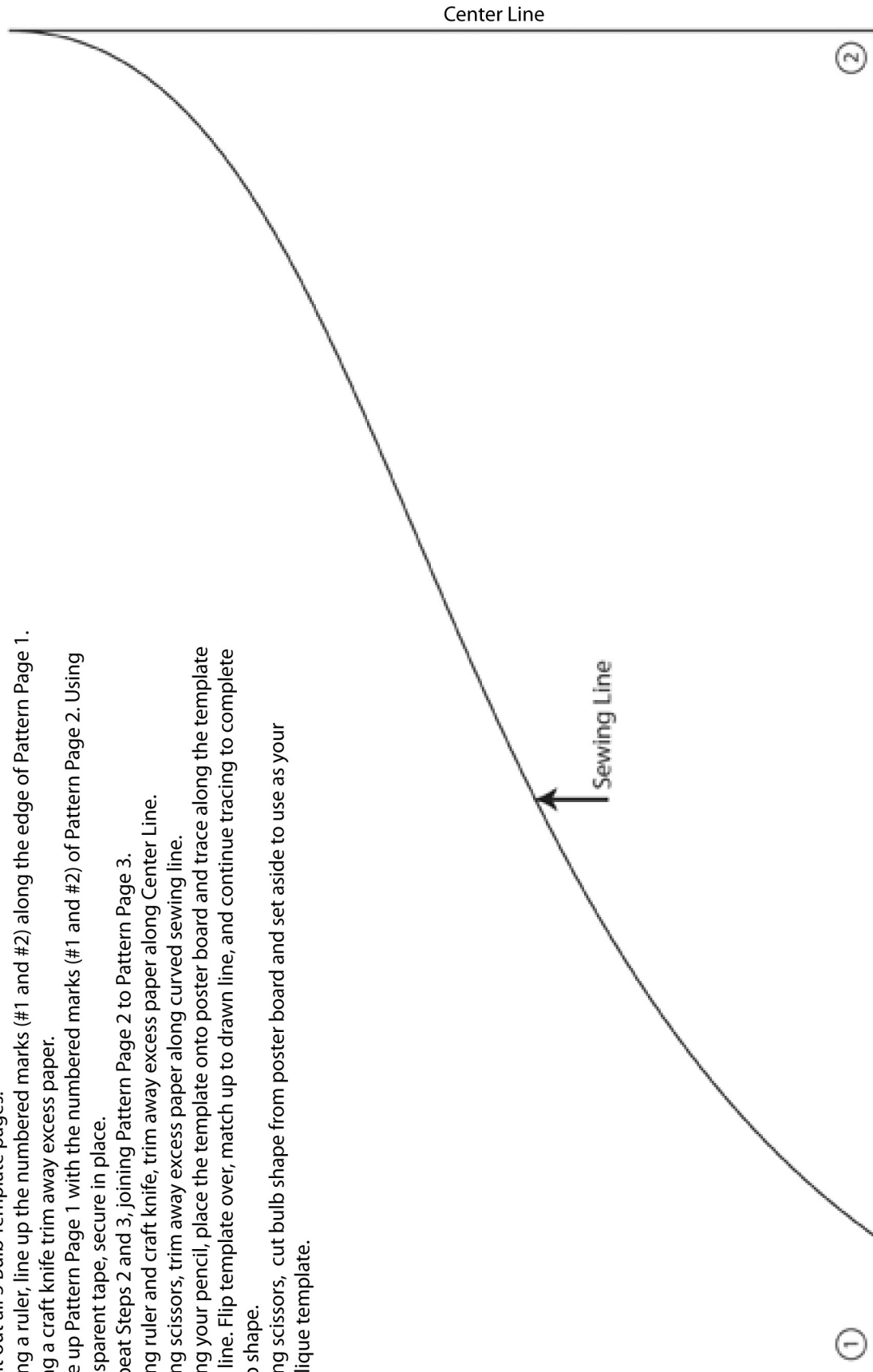
R O W A N



www.amybutlerdesign.com

Cameo Quilt - Amy Butler Template for Bulb Applique

1. Print out all 3 Bulb Template pages.
2. Using a ruler, line up the numbered marks (#1 and #2) along the edge of Pattern Page 1.
Using a craft knife trim away excess paper.
3. Line up Pattern Page 1 with the numbered marks (#1 and #2) of Pattern Page 2. Using transparent tape, secure in place.
4. Repeat Steps 2 and 3, joining Pattern Page 2 to Pattern Page 3.
5. Using ruler and craft knife, trim away excess paper along Center Line.
6. Using scissors, trim away excess paper along curved sewing line.
7. Using your pencil, place the template onto poster board and trace along the template sew line. Flip template over, match up to drawn line, and continue tracing to complete bulb shape.
8. Using scissors, cut bulb shape from poster board and set aside to use as your applique template.





Cameo Quilt - Amy Butler Bulb Applique Template

(Template shown at 100%)

